

**SPECIFICATION**

**A: MATERIAL:**

- 1.BODY: PA66
- 2.TERMINAL: Cu PLATED Sn
- 3.PIN: Cu PLATED Ni
- 4.COPPRE RIVET:Cu PLATED Ni
- 5.CONTACT PIECE:Cu PLATED Ni

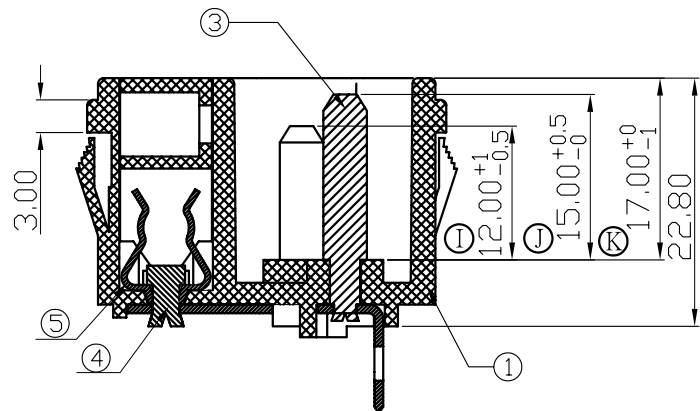
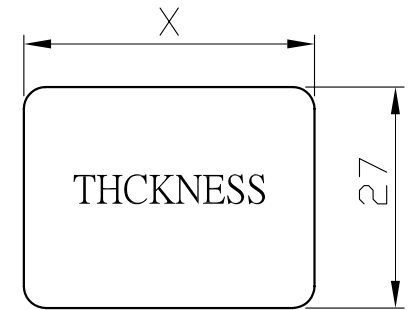
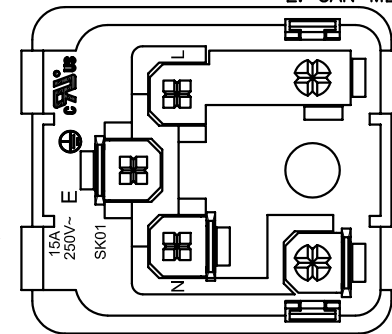
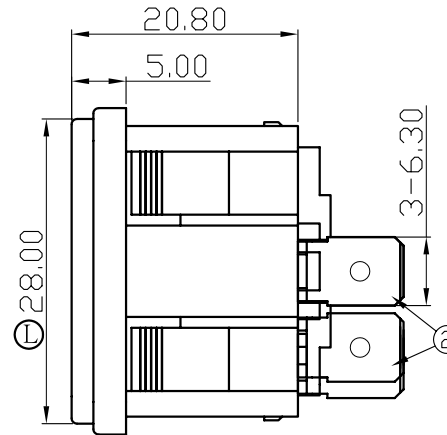
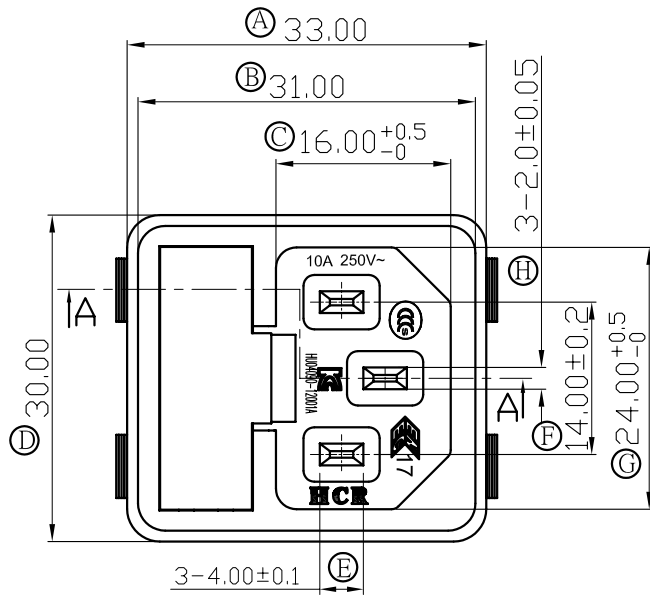
**B: CHARACTERISTICS:**

- 1.RATING: 15A 250V~(C-ULus)  
10A 250V~(ENEC & CCC & KC)
- 2.INSULATION RESISTANCE:100MΩ MIN,AT 500VDC
- 3.ELECTRIC STRENGTH : 3000 VAC/1MIN,LEAKAGE CURRENT UNDER 0.5mA

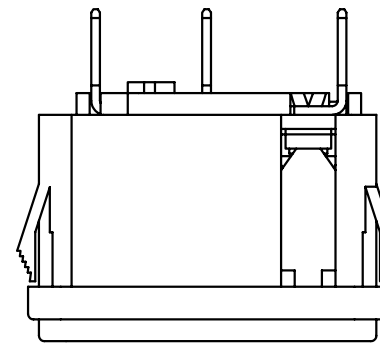
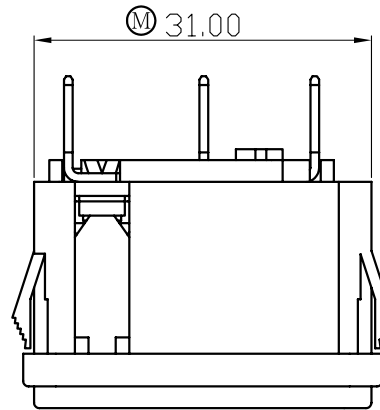
**C: APPROVALS: C-ULus, ENEC & CCC & KC**

**D: MATERIAL USED MUST BE COMPLY WITH HQI-0010**

**E: CAN MEET RoHS**



SECTION A-A



0.8~1.8(X=31.5)  
1.9~3.2(X=31.7)

TOLERANCES UNLESS OTHERWISE 未指定容許差尺寸之公差	
BASIC DIMENSIONS TOLERANCES	
UP TO 10 (10以下)	±0.15
ABOVE 10 TO 30(10~30)	±0.3
ABOVE 30 TO 100(30~100)	±0.5
ANGULAR DIMENSIONS(角度)	±5°
DIMENSION UNIT	mm

東莞市華之力電子有限公司 DONGGUAN HCR ELECTRONICS CO., LTD.

2					核准 APPROVED BY	AaronJin	日期 DATE	20121211	投影法 PROJECT		機型 PART NAME	INLET SOCKET
1					校對 CHECKED BY	RZTang	日期 DATE	20121211	比例 SCALE	1:1	型號 PART NO	SK01
0	2012/12/11	新制訂	A0	WeiChen	AaronJin	繪圖 DRAWN BY	日期 DATE	20121211	路徑 DWG NO	E:成品圖 SK01/800141	料號 ITEM NO	SK01-2601121521
NO	DATE	REVISION DESCRIPTION	REVISION	DRAWN	APPROVED							